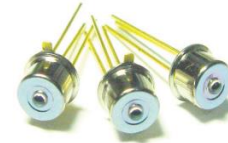


Features

- : GaAs PIN PD
- : 2.5 Gbps data rates
- : Ball Lens type TO-46 Can Package
- : Packaged with preamplifier
- : Other configurations available on request

Description



Applications

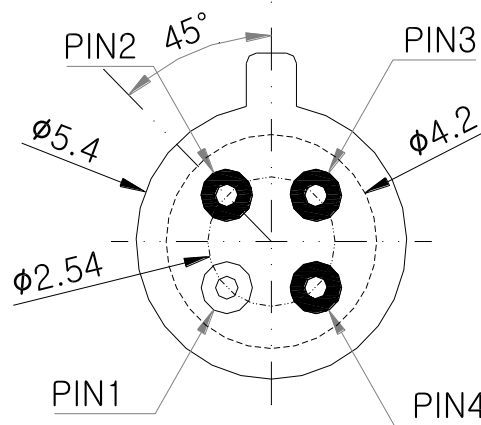
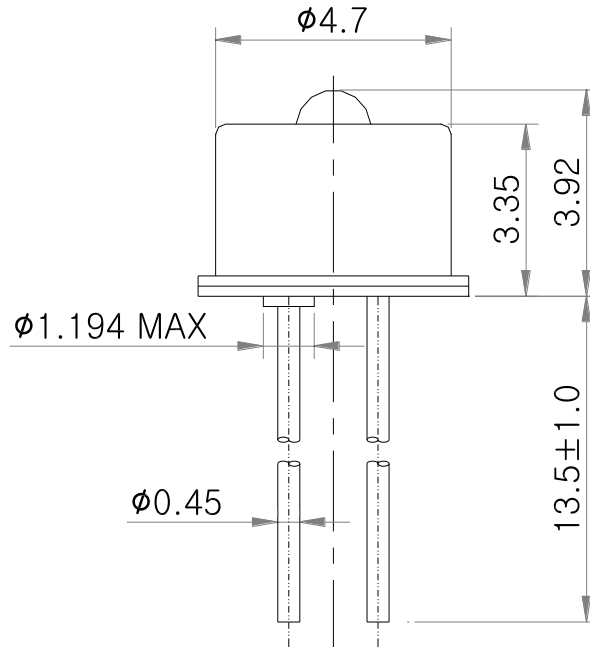
- : High speed Data Communications
- : Gigabit Ethernet
- : Fiber Channel

Absolute Maximum Ratings

Parameter	Rating
Storage Temperature	-40 to 100°C
Operating Temperature	-40 to 85°C
Lead Solder Temperature	260°C, 10sec
Power Supply Voltage	0 to 4.0V
Incident Optical Power	0 dBm average, 4 dBm Peak

Dimensions

Unit :mm



Bottom View

PIN OUT

PP85-B1T3N	
Number	Function
1	GND
2	Vout+
3	V _{CC}
4	Vout-



Electro-Optics Characteristics ($V_{CC}=3.3V$, $T_a=25^\circ C$ unless otherwise stated)

Parameters	Symbol	Specified			Unit	Test Conditions
		Min.	Typ.	Max.		
Wavelength Responsivity	λ	770	850	860	nm	
Supply Voltage	V_{CC}	3.0	3.3	3.6	V	
Supply Current	I_{CC}	13	17	23	mA	
Sensitivity	S	-20	-22		dBm	BER= 1×10^{-12} PRBS= $2^{23}-1$ at 2.5Gbps
Differential Output Voltage	$V_{o,diff}$	140	200	310	mV _{pp}	
3dB Bandwidth	$f_{h,-3dB}$		1.8		GHz	$P_{ave}=-12dBm, \lambda=850nm,$
Low Frequency Cutoff	$f_{l,-3dB}$		40	70	KHz	
Rise/Fall Time	t_R/t_F		130		ps	$P_{ave}=-12dBm, \lambda=850nm,$
Output Resistance	R_o	40	50	60	Ω	Single-ended

Notes

* These specifications are subject to change without notice

NOTICE

The inherent design of this component causes it to be sensitive to electrostatic discharge(ESD). To prevent ESD-induced damage and/or degradation to equipment, take normal ESD precautions when handling this product